

Essential Fabric Display – 920 Curved

Assembly Instructions



Overview:

Essential fabric displays feature basic tubular frames coupled with pillowcase fabric graphics. The economy tube frames come with a one year limited warranty. Simply pull the graphic over the frame.

Features and Benefits:

- | | |
|------------------------------|---|
| - Curved aluminum tube frame | - Carry bag included |
| - Easy to store and ship | - Bungee cords for easy assembly |
| - Quick to set up | - One year limited hardware warranty against manufacturer defects |
| - Pillowcase fabric graphic | |

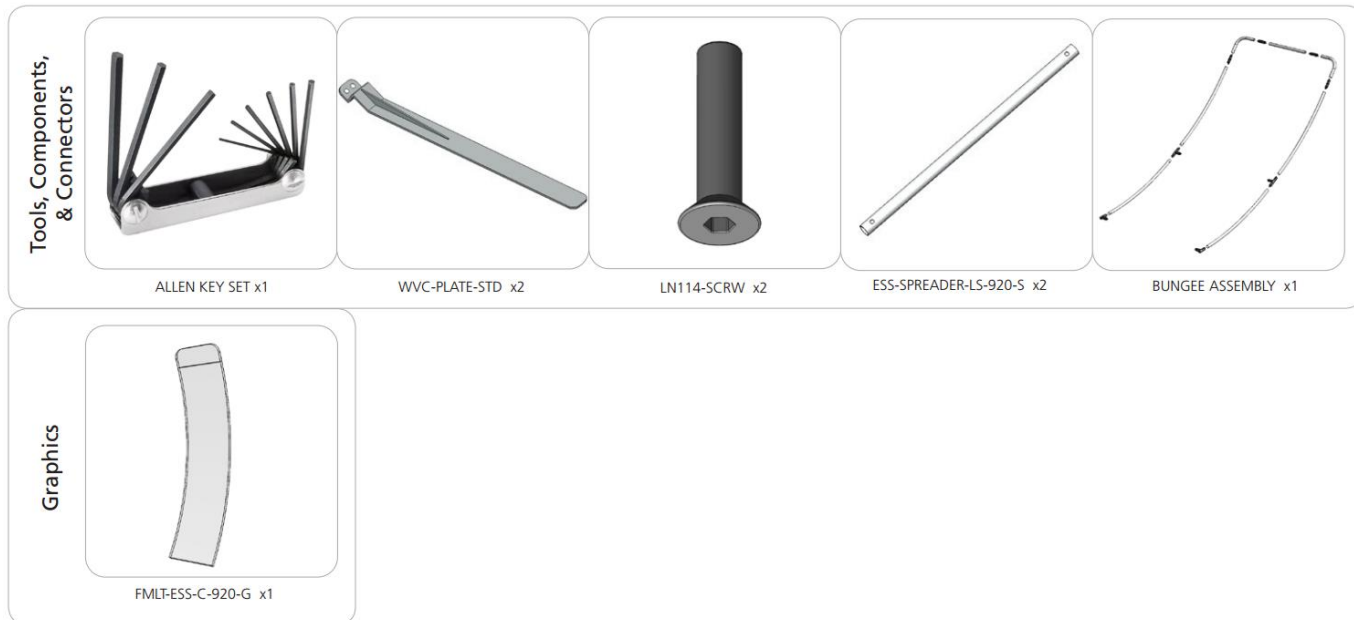
Hardware Dimensions:

Assembled unit: 49"l x 13"w x 13"h 1245mm(l) x 330mm(w) x 330mm(h)	Approximate weight with cases: 17 lbs / 7.7 kg
--	--

Graphic Material:

Dye-sublimated slip-over graphics

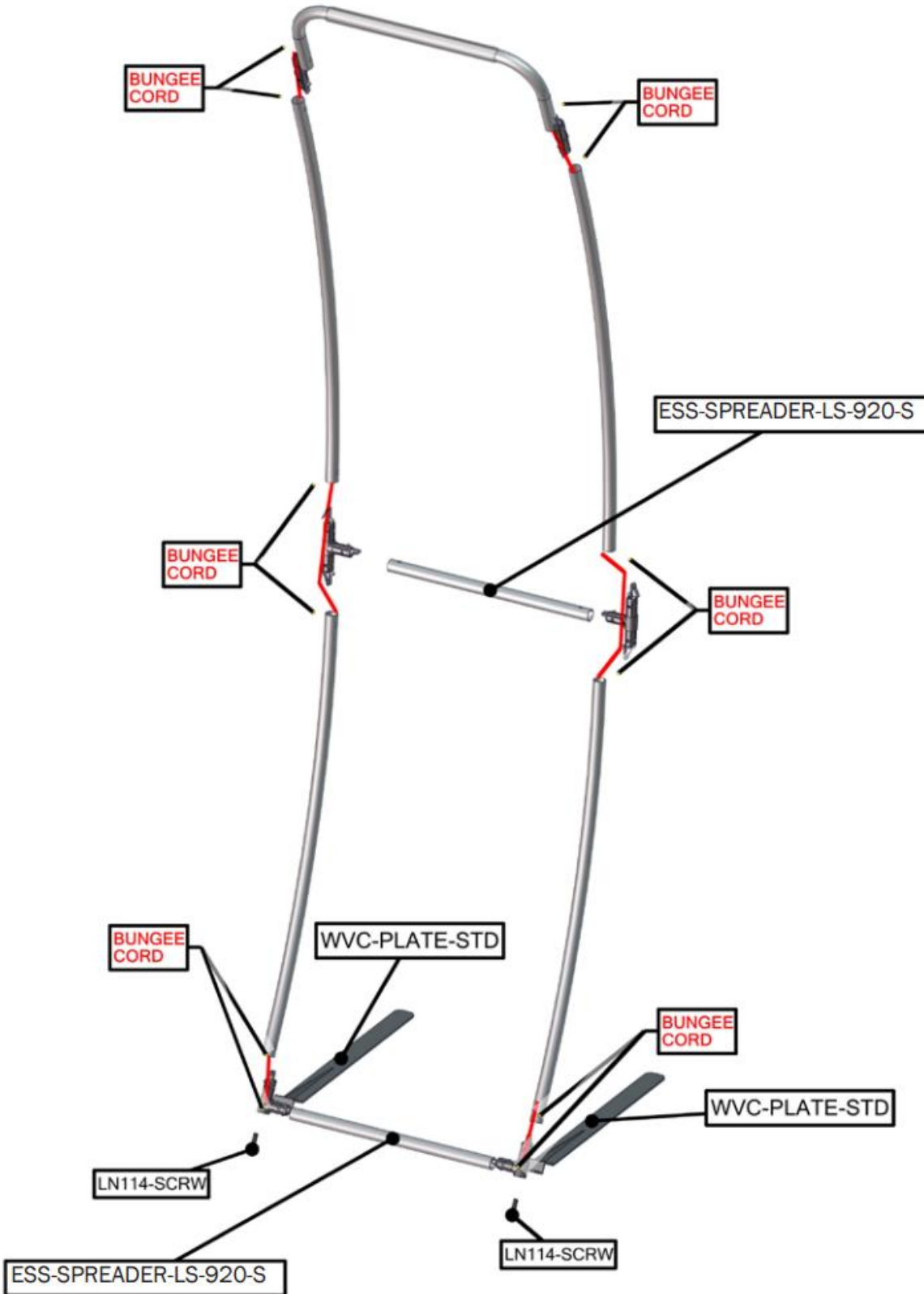
Items Included:



Essential Fabric Display – 920 Curved

Assembly Instructions

Assembly View:



Essential Fabric Display – 920 Curved

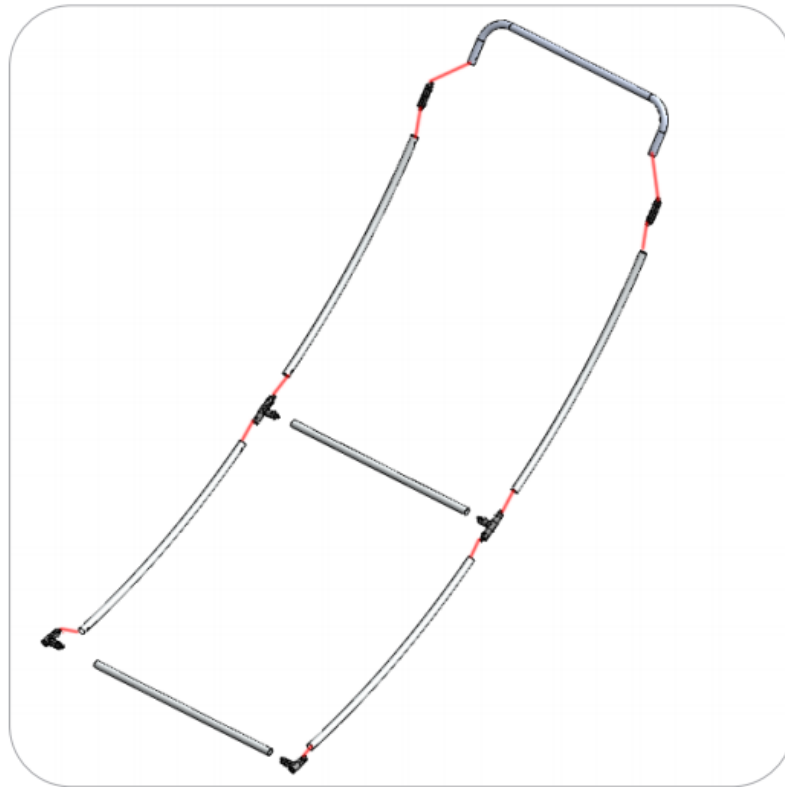
Assembly Instructions

Step by Step Instructions:

Step 1.

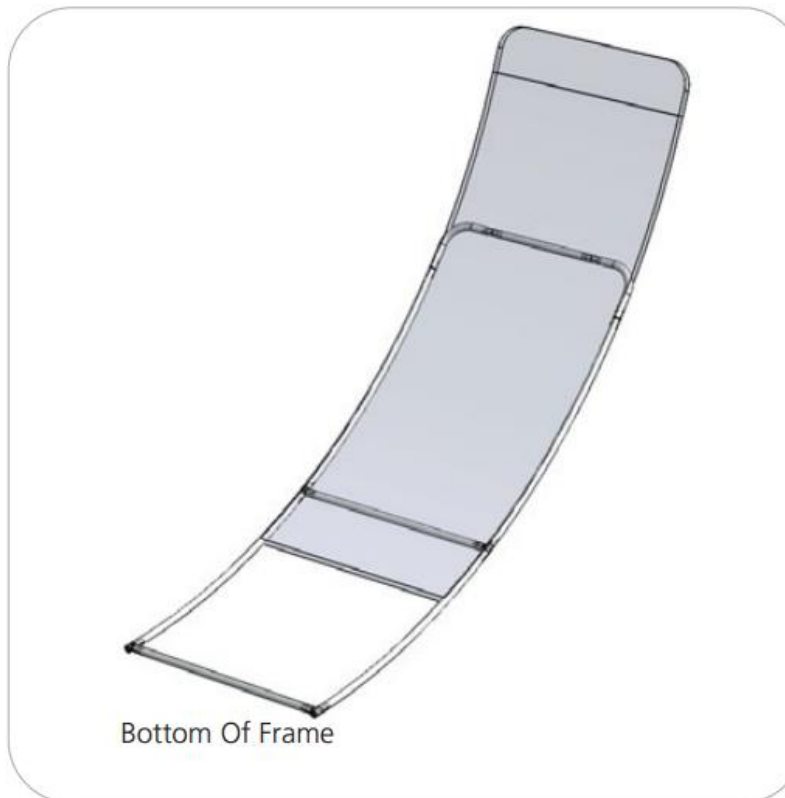
Begin assembling your frame by applying the your spreaders to the inside connectors. Push all tubes and connectors of the bungee assembly together to complete frame assembly.

Reference connection method 2 for further assistance.



Step 2.

Pull your graphic over the top of the frame and zip along the bottom.



Essential Fabric Display – 920 Curved

Assembly Instructions

Step 3.

Use your allen key to lock the LN114-SCRW through the feet and into the bottom of your frame.



Step 4.

Setup is complete.

